

STRATUS SERIES

A low profile with several glazing options, including double-glazed for enhanced acoustics.

Framing: Aluminum

System Height recommended limit: 9'-6"

Door leaf compatibility:

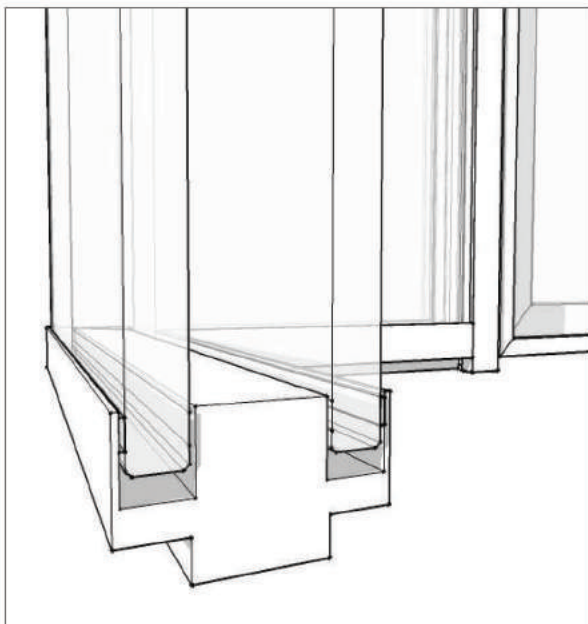
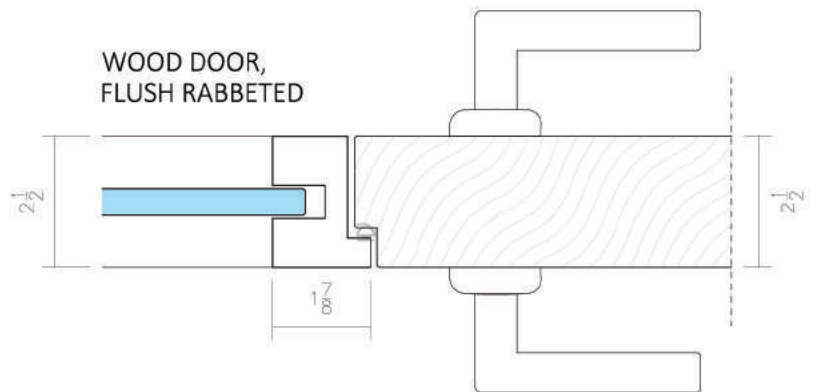
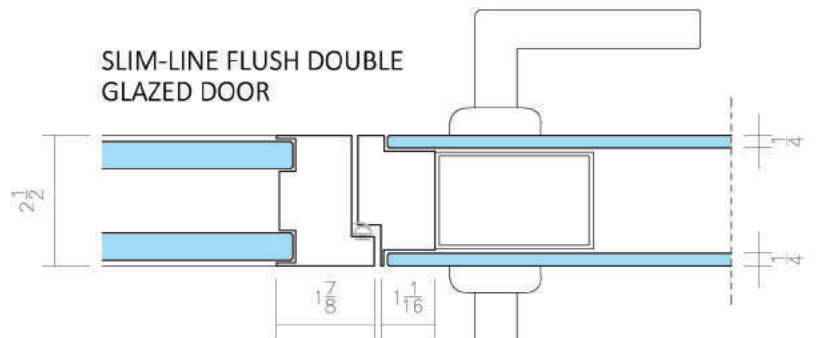
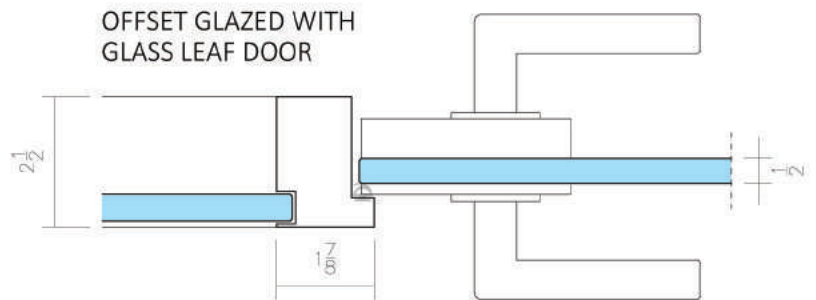
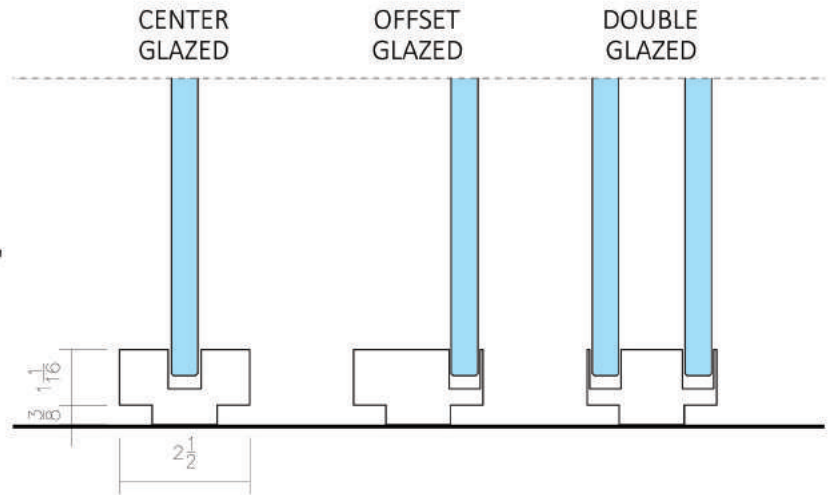
- Slim-line (1-1/8") flush glazed door (single or double glazed)
- Glass leaf (swinging or sliding door)
- Wood leaf (swinging or sliding door)

Standard Finish Options:

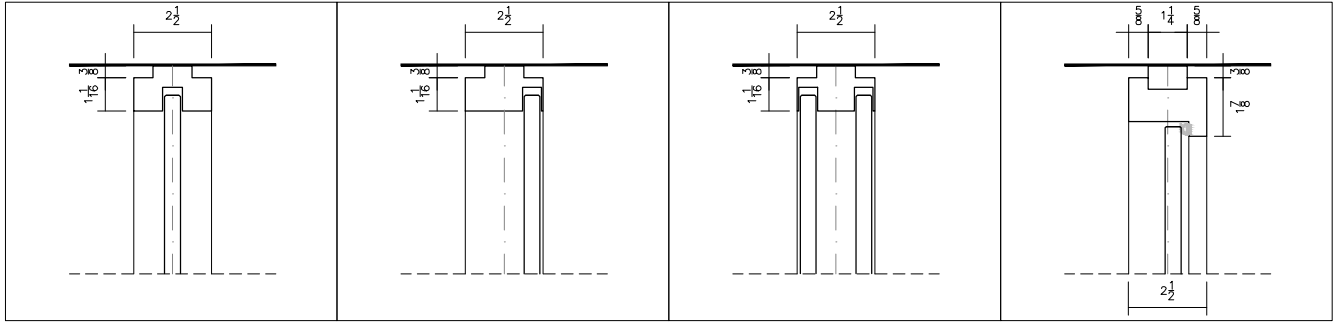
- Anodized (clear or color)
- Powdercoated custom color

Standard Glass Options:

- Clear tempered
- Low iron
- Laminated
- Standard or custom film
- Electrified privacy



STRATUS - STANDARD DETAILS

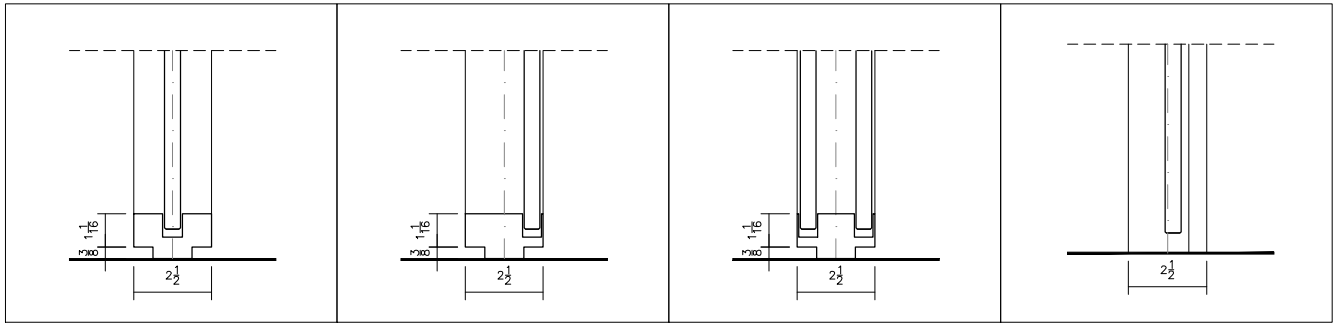


CENTER GLAZED, TOP TRACK

OFFSET GLAZED, TOP TRACK

DOUBLE GLAZED, TOP TRACK

DOOR FRAME HEADER
W/ GLASS LEAF DOOR

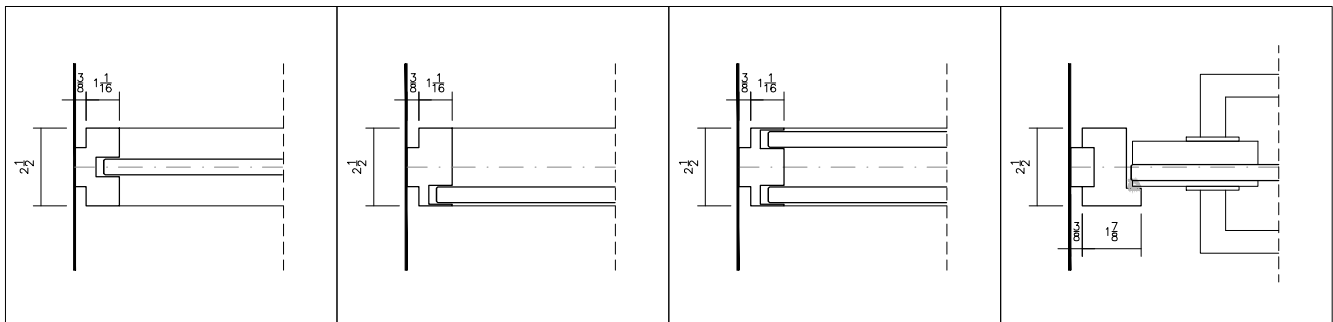


CENTER GLAZED, BOTTOM TRACK

OFFSET GLAZED, BOTTOM TRACK

DOUBLE GLAZED, BOTTOM TRACK

DOOR FRAME UNDERCUT
W/ GLASS LEAF DOOR

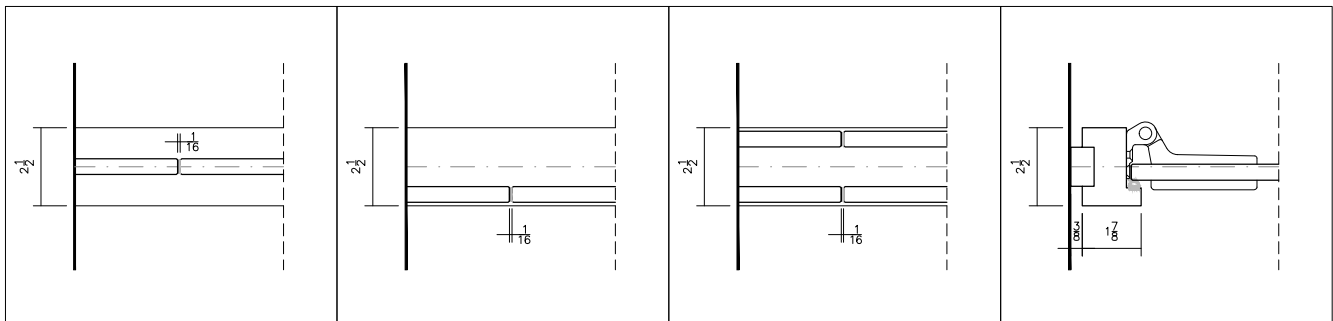


CENTER GLAZED, WALL TRACK

OFFSET GLAZED, WALL TRACK

DOUBLE GLAZED, WALL TRACK

DOOR FRAME, GLASS DOOR, STRIKE SIDE
@ WALL CONNECTION

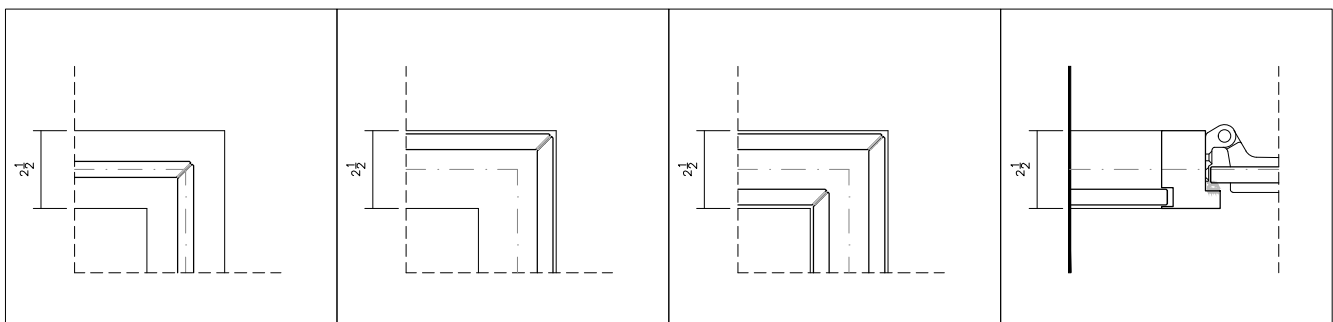


CENTER GLAZED, GLASS-TO-GLASS TYPICAL
JOINT @ VHB CONNECTION

OFFSET GLAZED, GLASS-TO-GLASS TYPICAL
JOINT @ VHB CONNECTION

DOUBLE GLAZED, GLASS-TO-GLASS TYPICAL
JOINT @ VHB CONNECTION

DOOR FRAME, GLASS DOOR, HINGE SIDE
@ WALL CONNECTION



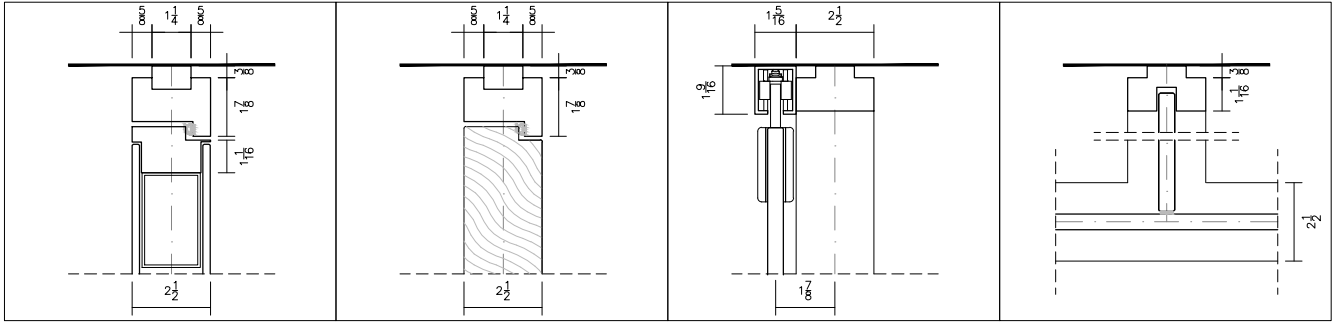
CENTER GLAZED, MITERED GLASS CORNER
@ VHB CONNECTION

OFFSET GLAZED, MITERED GLASS CORNER
@ VHB CONNECTION

DOUBLE GLAZED, MITERED GLASS CORNER
@ VHB CONNECTION

DOOR FRAME, GLASS DOOR, HINGE SIDE
@ OFFSET GLASS CONNECTION

STRATUS - STANDARD DETAILS

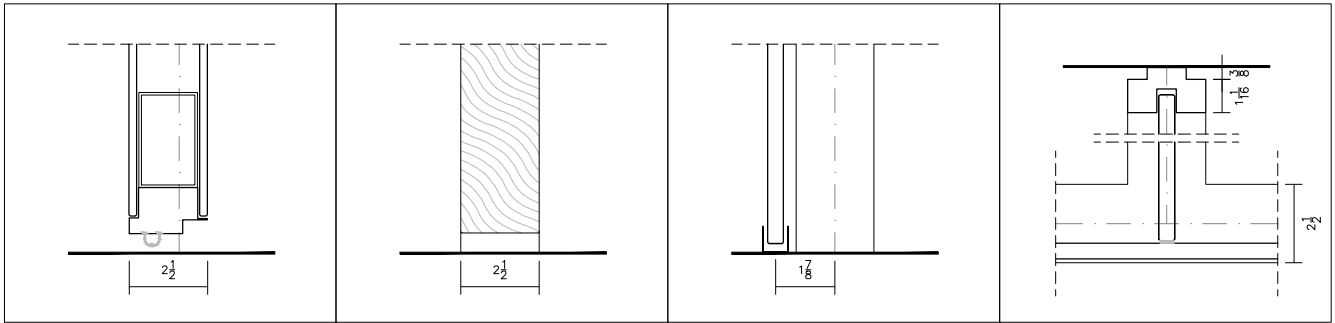


DOOR FRAME HEADER
W/ FLUSH DOUBLE-GLAZED DOOR

DOOR FRAME HEADER
W/ FLUSH RABBETED WOOD DOOR

SLIDER TOP TRACK

T-RETURN
@ CENTER-GLAZED GLASS FRONT

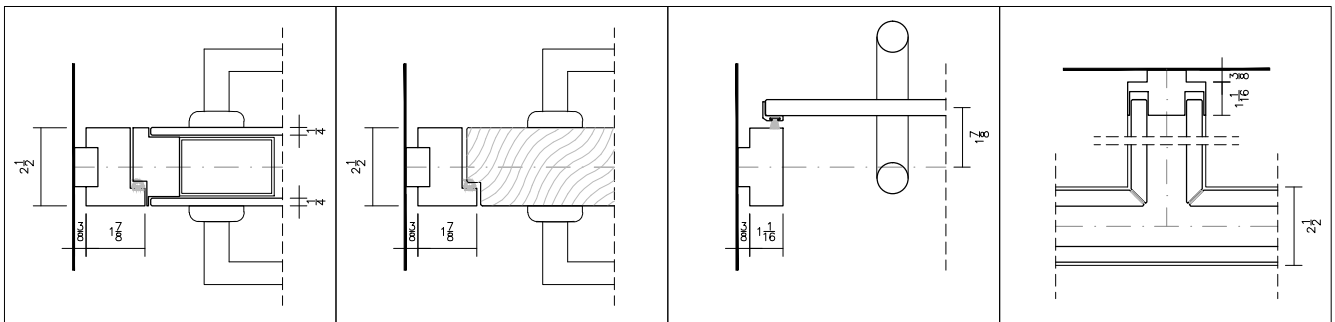


DOOR FRAME UNDERCUT
W/ FLUSH DOUBLE-GLAZED DOOR

DOOR FRAME UNDERCUT
W/ FLUSH RABBETED WOOD DOOR

SLIDER BOTTOM GUIDE

T-RETURN
@ OFFSET-GLAZED GLASS FRONT

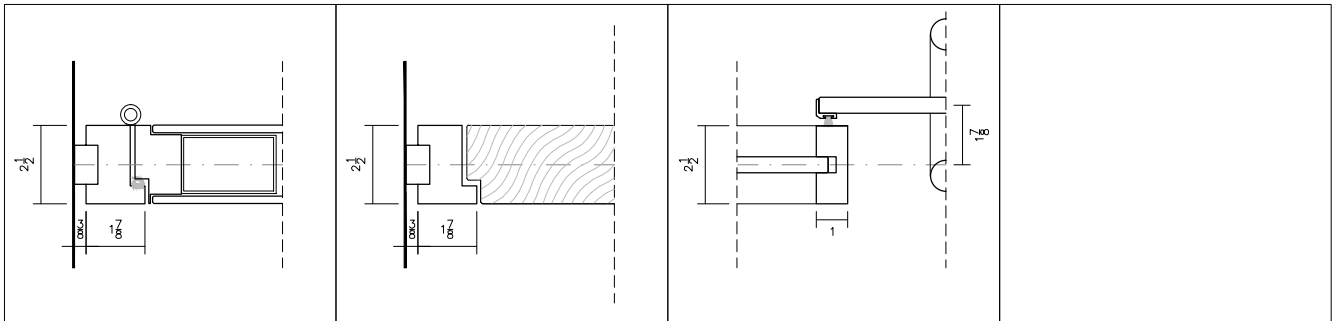


DOOR FRAME, FLUSH DOUBLE-GLAZED
DOOR, STRIKE SIDE @ WALL CONNECTION

DOOR FRAME, FLUSH RABBETED WOOD
DOOR, STRIKE SIDE @ WALL CONNECTION

SLIDER DOOR, HANDLE SIDE
@ WALL CONNECTION

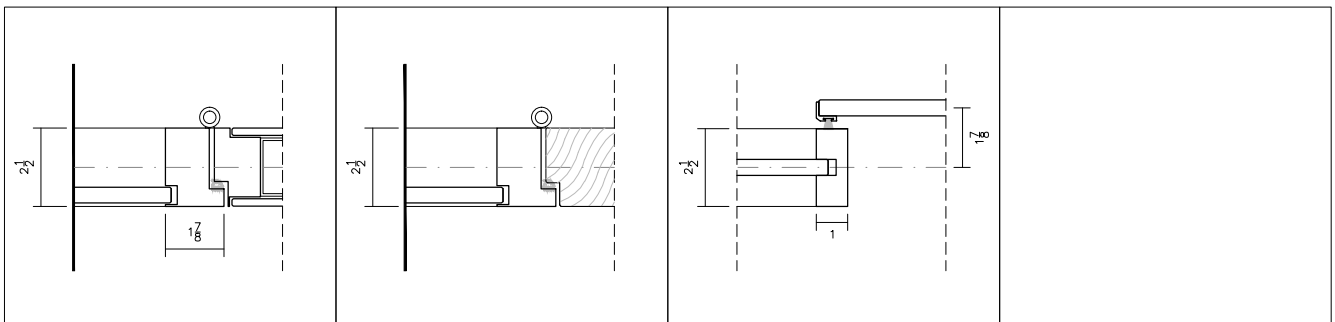
T-RETURN, MITERED
@ DOUBLE-GLAZED GLASS FRONT



DOOR FRAME, FLUSH DOUBLE-GLAZED
DOOR, HINGE SIDE @ WALL CONNECTION

DOOR FRAME, FLUSH RABBETED WOOD
DOOR, HINGE SIDE @ WALL CONNECTION

SLIDER DOOR, HANDLE SIDE
@ UPRIGHT



DOOR FRAME, FLUSH DOUBLE-GLAZED
DOOR, HINGE SIDE @ GLASS CONNECTION

DOOR FRAME, FLUSH RABBETED WOOD
DOOR, HINGE SIDE @ GLASS CONNECTION

FRAMED GLASS PIVOT DOOR,
REAR SIDE @ UPRIGHT